

VENDED
SINGLE TUMBLE DRYER

PT035

PT055

35lb

55lb

PT
RANGE



FEATURES

- Easy-to-use microprocessor control
- Electric, gas, and steam heating
- Large door opening for easy loading and unloading
- Patented cylinder holes allow drywall screws to pass through without damage
- Galvanized cylinder
- Axial airflow
- Large self-cleaning lint screen
- Standard activation: single coin drop

OPTIONS

- Available activations include: dual coin drop, electronic drop, prep for coin, prep for card reader, and prep for central pay
- Reversing cylinder to avoid tangling of large items
- Stainless steel cylinder
- Stainless steel front panel



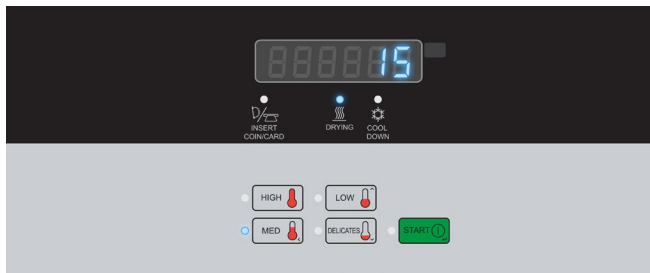
FAST DRYING



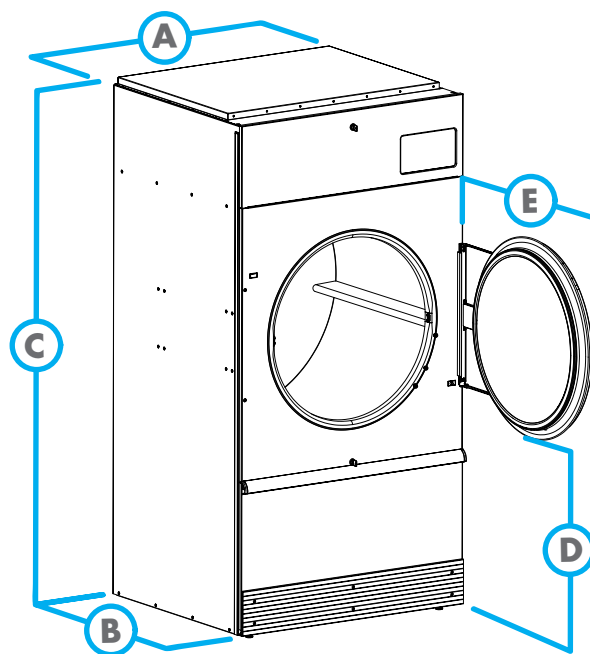
EASY OPERATION



SERVICE FRIENDLY



MODEL		PT035	PT055
CONTROL OPTION		XQ	XQ
CAPACITY - lb (kg)		35 (16)	55 (25)
OVERALL WIDTH - in (mm)		31.5 (800)	34.5 (876)
OVERALL DEPTH - in (mm)		46.87 (1190)	53.62 (1362)
OVERALL HEIGHT - in (mm)		63.87 (1622)	66.72 (1695)
CYLINDER DIAMETER - in (mm)		30 (762)	33 (838)
CYLINDER VOLUME - cu. ft. (liters)		12.3 (348)	17.3 (490)
DOOR OPENING SIZE - in (mm)		22.69 (576)	26.88 (683)
ENERGY DATA	Steam Models - 100 psi	166,000 Btu/hr	-
	Electric Models	24 kW	27 kW
EXHAUST - in (mm)		8 (203)	8 (203)
GAS CONNECTIONS - in (npt)		0.5	0.5
STEAM CONNECTIONS - in (npt)		0.75	-
MOTOR - hp	Fan	0.25	0.5
	Drive	0.25	0.5
DRYING AVERAGE - lbs/min	Gas Heating	0.73	0.98
	Electric Heating	0.74	0.88
AIRFLOW - cfm		650	700
ELECTRICAL SPECS - amps		Non Rev (Rev)	Non Rev (Rev)
GAS & STEAM	100/200-220/60/1 2W+G	11.0/5.8	9.8
	120/208-240/60/1 2W/3W+G	12.0/6.7	9.2/6.5
	200-208/240/60/33W+G	3.2/3.2 (4.0/4.0)	4.0/4.0 (4.0/4.5)
	380/60/3 3W+G	1.5 (2.0)	-
	440/60/3 3W+G	1.6 (2.0)	-
ELECTRIC	460-480/60/3 3W+G	1.6 (2.0)	-
	208/60/1 3W+G	122	129
	240/60/1 3W+G	107	115
	200/60/1 2W+G	122	122
	200-208/60/3 3W+G	71 (71)	79 (79)
	240/60/3 3W+G	62 (62)	65 (65)
	380/60/3 3W+G	38 (38)	-
440/60/3 3W+G	33 (33)	-	
460-480/60/3 3W+G	31 (31)	-	
SHIPPING DIMENSIONS APPROX. - in (mm)	Width	33 (838)	35.5 (902)
	Depth	49 (1245)	59 (1499)
	Height	69 (1753)	72 (1829)
NET WEIGHT - lb (kg)		360 (163)	435 (197)
SHIPPING WEIGHT - lb (kg)		394 (177)	476 (216)
AGENCY APPROVALS		cCSAus	cCSAus



DIMENSIONS	PT035	PT055
A. OVERALL WIDTH - in (mm)	31.5 (800)	34.5 (876)
B. OVERALL DEPTH - in (mm)	46.87 (1190)	53.62 (1362)
C. OVERALL HEIGHT - in (mm)	63.87 (1622)	66.72 (1695)
D. DOOR BOTTOM TO FLOOR - in (mm)	27.5 (669)	26.88 (683)
E. DOOR SWING - in (mm)	28 (711)	31.88 (810)

AY18-0055

For the most accurate information, the installation guide should be used for all design and construction purposes. Due to continuous product improvements, design and specifications subject to change without notice. The quality management system of Alliance Laundry Systems' Ripon facility has been registered to ISO 9001:2008.

© 2018 Alliance Laundry Systems LLC

www.primuslaundry.com

primus

by Alliance Laundry Systems